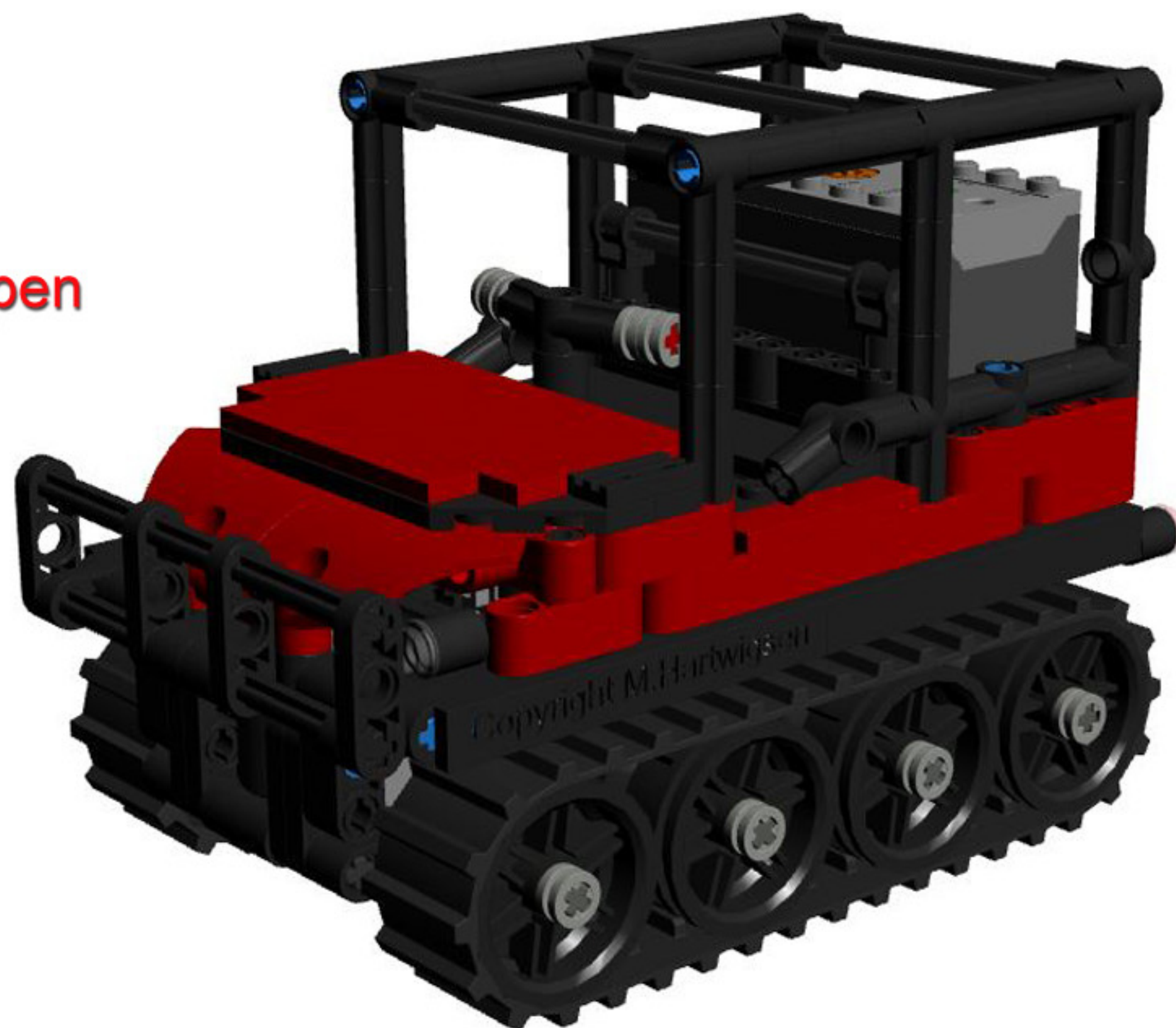


Click the small arrow to open the side-bar



If the model at your screen looks different, then first go to the end of these instructions.

There you find different render modes.

Export PDF

Adobe Export PDF

Convert PDF Files to Word or Excel Online

Select PDF File

Argo Small Assy.pdf

Convert to

Microsoft Word (*.docx)

Document Language: English (U.S.)

Convert

Create PDF

Edit PDF

Comment

Combine Files

Organize Pages

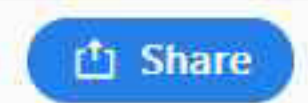
Redact

Protect

Optimize PDF

Convert and edit PDFs with Acrobat Pro DC

Start Free Trial



Model Tree

Highlight Color

- model
 - Argo Small Assy.asm

Click here to show the Model Tree.

The Model Tree will show all sub-assemblies and parts.

Options

- Current View
- [User] top
- [User] front
- [User] right
- [User] iso
- [User] dimetric
- [User] trimetric



Export PDF

Adobe Export PDF

Convert PDF Files to Word or Excel Online

Select PDF File

Argo Small Assy.pdf

Convert to

Microsoft Word (*.docx)

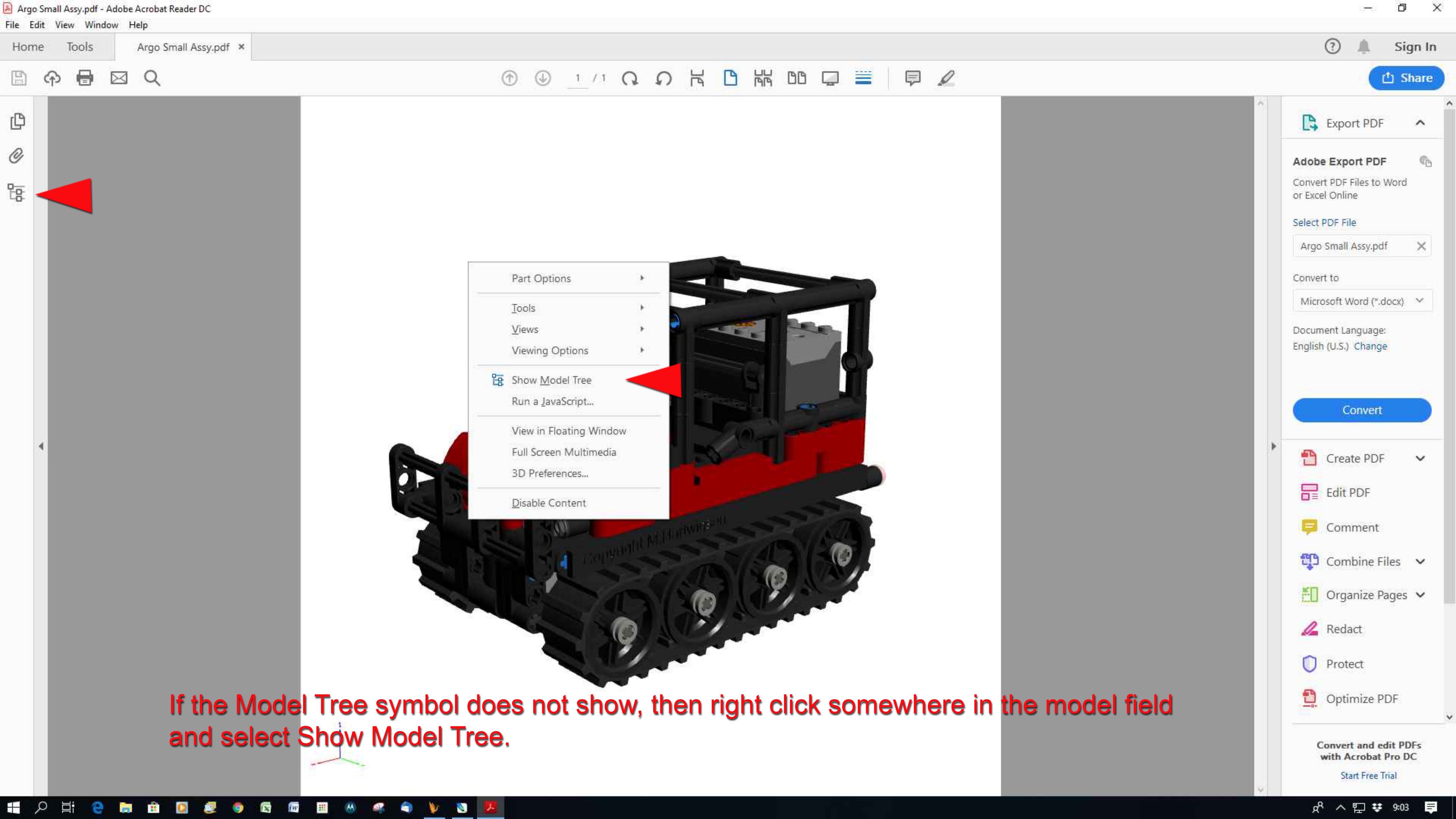
Document Language: English (U.S.)

Convert

- Create PDF
- Edit PDF
- Comment
- Combine Files
- Organize Pages
- Redact
- Protect
- Optimize PDF

Convert and edit PDFs with Acrobat Pro DC

Start Free Trial



If the Model Tree symbol does not show, then right click somewhere in the model field and select Show Model Tree.



Model Tree

Highlight Color

- model
 - Argo Small Assy.asm
 - Argo Assembly-100.asm:1**
 - Argo Assembly-101.asm:1
 - Argo Assembly-101.asm:2
 - Argo Assembly-102.asm:1
 - Argo Assembly-102.asm:2
 - Argo Assembly-103.asm:1
 - Argo Assembly-103.asm:2
 - Argo Assembly-104.asm:1
 - Argo Assembly-105.asm:1
 - Argo Assembly-106.asm:1
 - Gear Wheel z=8 BF.par:1.2
 - Helical L=16 BF.par:1
 - Axle 5 Flange BF.par:1
 - Gear Wheel z=8 BF.par:2
 - Helical L=16 BF.par:2
 - Axle 5 Flange BF.par:2
 - Argo Assembly-107.asm:1
 - Argo Assembly-108.asm:1
 - Argo Assembly-109.asm:1
 - Argo Assembly-110.asm:1

Options

- Current View
- [User] top
- [User] front

<No available information>

Click the small pointer to open the model tree



Export PDF

Adobe Export PDF

Convert PDF Files to Word or Excel Online

Select PDF File

Argo Small Assy.pdf

Convert to

Microsoft Word (*.docx)

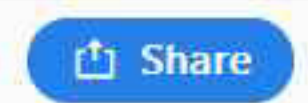
Document Language: English (U.S.)

Convert

- Create PDF
- Edit PDF
- Comment
- Combine Files
- Organize Pages
- Redact
- Protect
- Optimize PDF

Convert and edit PDFs with Acrobat Pro DC

Start Free Trial



Model Tree

Highlight Color

- model
 - Argo Small Assy.asm
 - Argo Assembly-100.asm:1**
 - Beam 1x11x1 BF.par:1
 - Beam 1x11x1 BF.par:2
 - Beam Connector 1x1 BF.par:1
 - Beam Connector 1x1 BF.par:2
 - Beam Connector 1x2 blue BF.par:4
 - Beam Connector 1x2 blue BF.par:3
 - Beam Connector 1x2 blue BF.par:1
 - Beam Axle Connector 1x1 BF.par:1
 - Beam Axle Connector 1x1 BF.par:2
 - Beam 1x5x1 BF.par:1
 - Lift Arm 3x3x0,5 BF.par:1
 - Lift Arm 3x3x0,5 BF.par:2
 - Beam Connector 1x1 BF.par:3
 - Lift Arm 1x5x0,5 BF.par:1
 - Lift Arm 1x5x0,5 BF.par:2
 - Beam Axle Connector 1x1 BF.par:3
 - Beam Connector 1x2 blue BF.par:7
 - Beam Connector 1x1 BF.par:4

Click the small pointer to open the first assembly: Argo Assembly-100

At the model tree you now see all the parts of that assembly



Export PDF

Adobe Export PDF

Convert PDF Files to Word or Excel Online

Select PDF File

Argo Small Assy.pdf

Convert to

Microsoft Word (*.docx)

Document Language: English (U.S.)

Convert

Create PDF

Edit PDF

Comment

Combine Files

Organize Pages

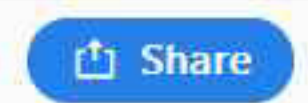
Redact

Protect

Optimize PDF

Convert and edit PDFs with Acrobat Pro DC

Start Free Trial



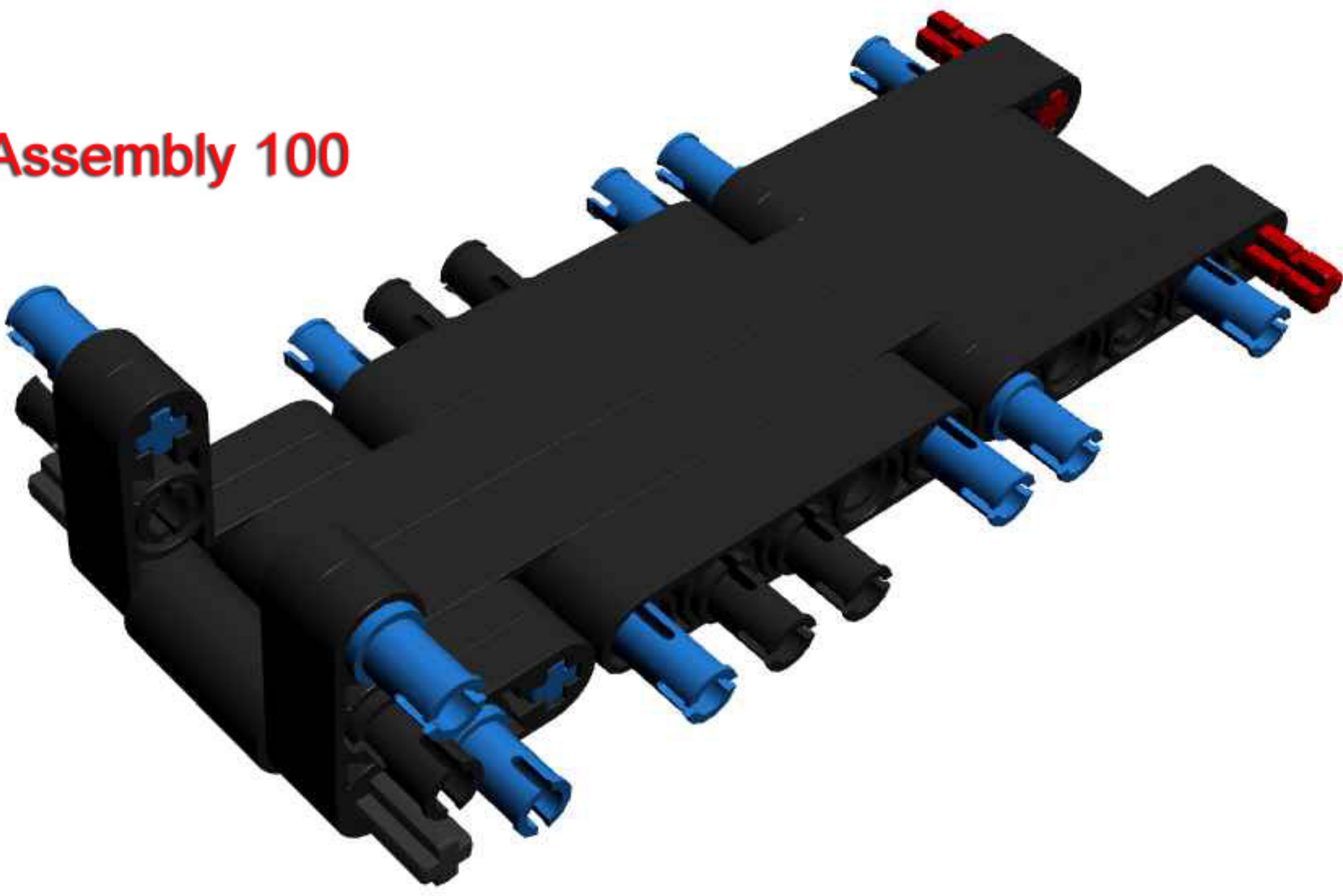
Model Tree

Highlight Color

- model
 - Argo Small Assy.asm
 - Argo Assembly-100.asm:1
 - Beam 1x11x1 BF.par:2
 - Beam Connector 1x1 BF.par:1
 - Beam Connector 1x1 BF.par:2
 - Beam Connector 1x2 blue BF.par:1
 - Beam Connector 1x2 blue BF.par:3
 - Beam Connector 1x2 blue BF.par:2
 - Beam Connector 1x2 blue BF.par:1
 - Beam Connector 1x1 BF.par:3
 - Beam Connector 1x2 blue BF.par:1
 - Beam Axle Connector 1x1 BF.par:1
 - Beam Axle Connector 1x1 BF.par:2
 - Beam 1x5x1 BF.par:1
 - Lift Arm 3x3x0,5 BF.par:1
 - Lift Arm 3x3x0,5 BF.par:2
 - Beam Connector 1x1 BF.par:3
 - Lift Arm 1x5x0,5 BF.par:1
 - Lift Arm 1x5x0,5 BF.par:2
 - Beam Axle Connector 1x1 BF.par:3

Click the box in front of model to hide the whole model.

Then click the box in front of Argo Assembly 100 to show just that assembly.



This is the first assembly that you will make

Export PDF

Adobe Export PDF

Convert PDF Files to Word or Excel Online

Select PDF File

Argo Small Assy.pdf

Convert to

Microsoft Word (*.docx)

Document Language: English (U.S.)

Convert

Create PDF

Edit PDF

Comment

Combine Files

Organize Pages

Redact

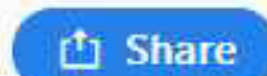
Protect

Optimize PDF

Convert and edit PDFs with Acrobat Pro DC

Start Free Trial

Now first hide this first assembly again by clicking the box.



Model Tree

Highlight Color

- model
 - Argo Small Assy.asm
 - Argo Assembly-100.asm:1**
 - Beam 1x11x1 BF.par:2
 - Beam Connector 1x1 BF.par:1
 - Beam Connector 1x1 BF.par:2
 - Beam Connector 1x2 blue BF.par:4
 - Beam Connector 1x2 blue BF.par:3
 - Beam 1x11x1 BF.par:1
 - Beam Connector 1x2 blue BF.par:1
 - Beam Axle Connector 1x1 BF.par:1
 - Beam Axle Connector 1x1 BF.par:2
 - Beam 1x5x1 BF.par:1
 - Lift Arm 3x3x0,5 BF.par:1
 - Lift Arm 3x3x0,5 BF.par:2
 - Beam Connector 1x1 BF.par:3
 - Lift Arm 1x5x0,5 BF.par:1
 - Lift Arm 1x5x0,5 BF.par:2
 - Beam Axle Connector 1x1 BF.par:3

Then start opening the parts one by one by clicking the box in front of them.

Now you can start building!

After finishing you start opening the parts of Argo Assembly 101, etc



With the mouse and control keys you can zoom, rotate and move.

Export PDF

Adobe Export PDF

Convert PDF Files to Word or Excel Online

Select PDF File

Argo Small Assy.pdf

Convert to

Microsoft Word (*.docx)

Document Language: English (U.S.)

Convert

Create PDF

Edit PDF

Comment

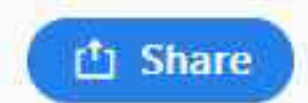
Combine Files

Organize Pages

Redact

Protect

Optimize PDF



Model Tree

Highlight Color

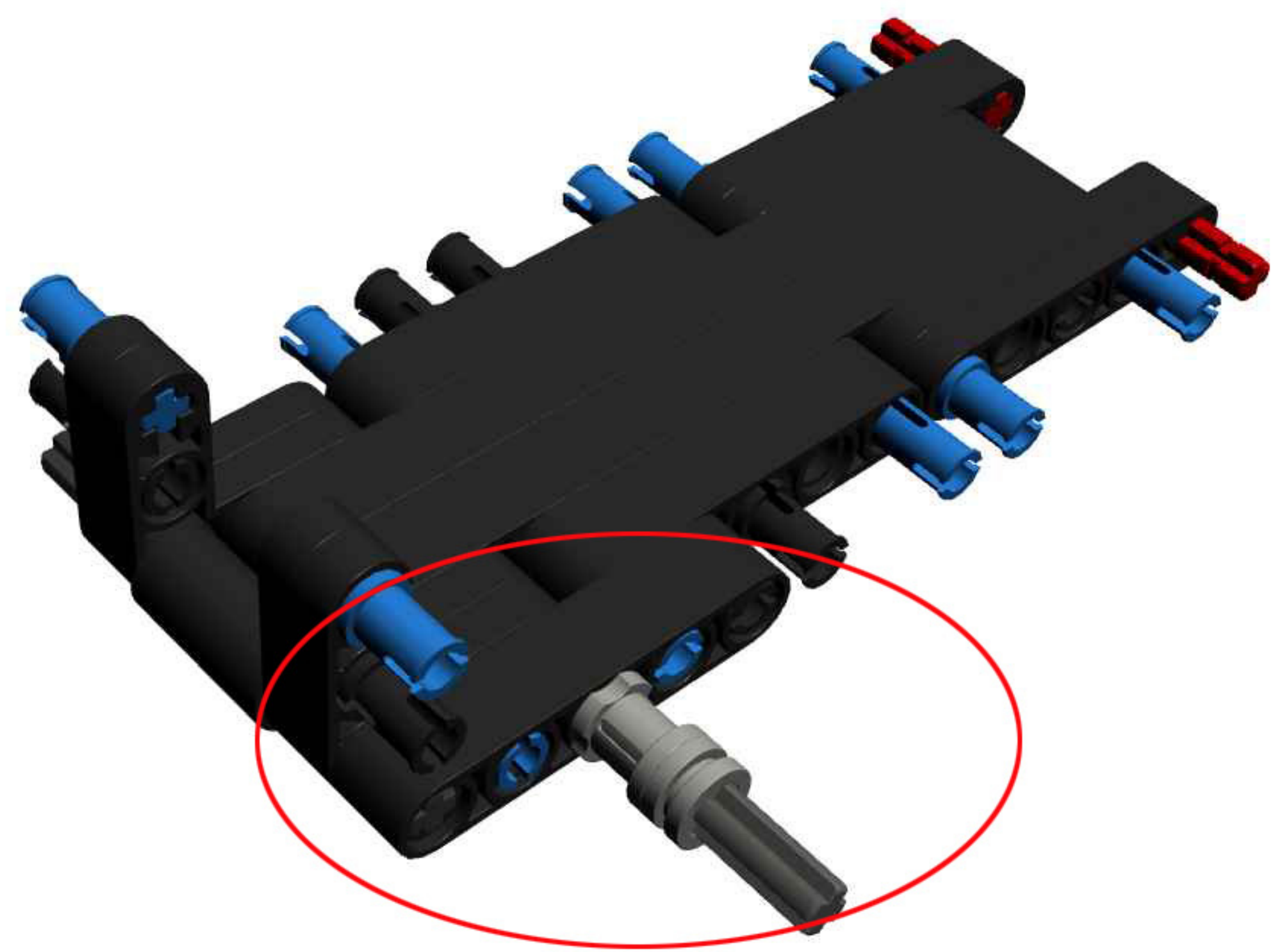
- model
 - Argo Small Assy.asm
 - Argo Assembly-100.asm:1**
 - Argo Assembly-101.asm:1**
 - Beam 1x5x1 BF.par:1.1
 - Axle 4 Flange BF.par:1
 - Connector 1x1 BF.par:1
 - Connector 1x0,5 BF.par:1
 - Argo Assembly-101.asm:2
 - Argo Assembly-102.asm:1
 - Argo Assembly-102.asm:2
 - Argo Assembly-103.asm:1
 - Argo Assembly-103.asm:2
 - Argo Assembly-104.asm:1
 - Argo Assembly-105.asm:1
 - Argo Assembly-106.asm:1
 - Gear Wheel z=8 BF.par:1.2
 - Helical L=16 BF.par:1
 - Axle 5 Flange BF.par:1

Options

- Current View
- [User] top
- [User] front
- [User] right

<No available information>

Here you see the assembly 100 and 101 together



Export PDF

Adobe Export PDF

Convert PDF Files to Word or Excel Online

Select PDF File

Argo Small Assy.pdf

Convert to

Microsoft Word (*.docx)

Document Language: English (U.S.)

Convert

Create PDF

Edit PDF

Comment

Combine Files

Organize Pages

Redact

Protect

Optimize PDF

Convert and edit PDFs with Acrobat Pro DC

Start Free Trial

Here you see assembly 100 - 105 and how you can zoom and move.



Model Tree

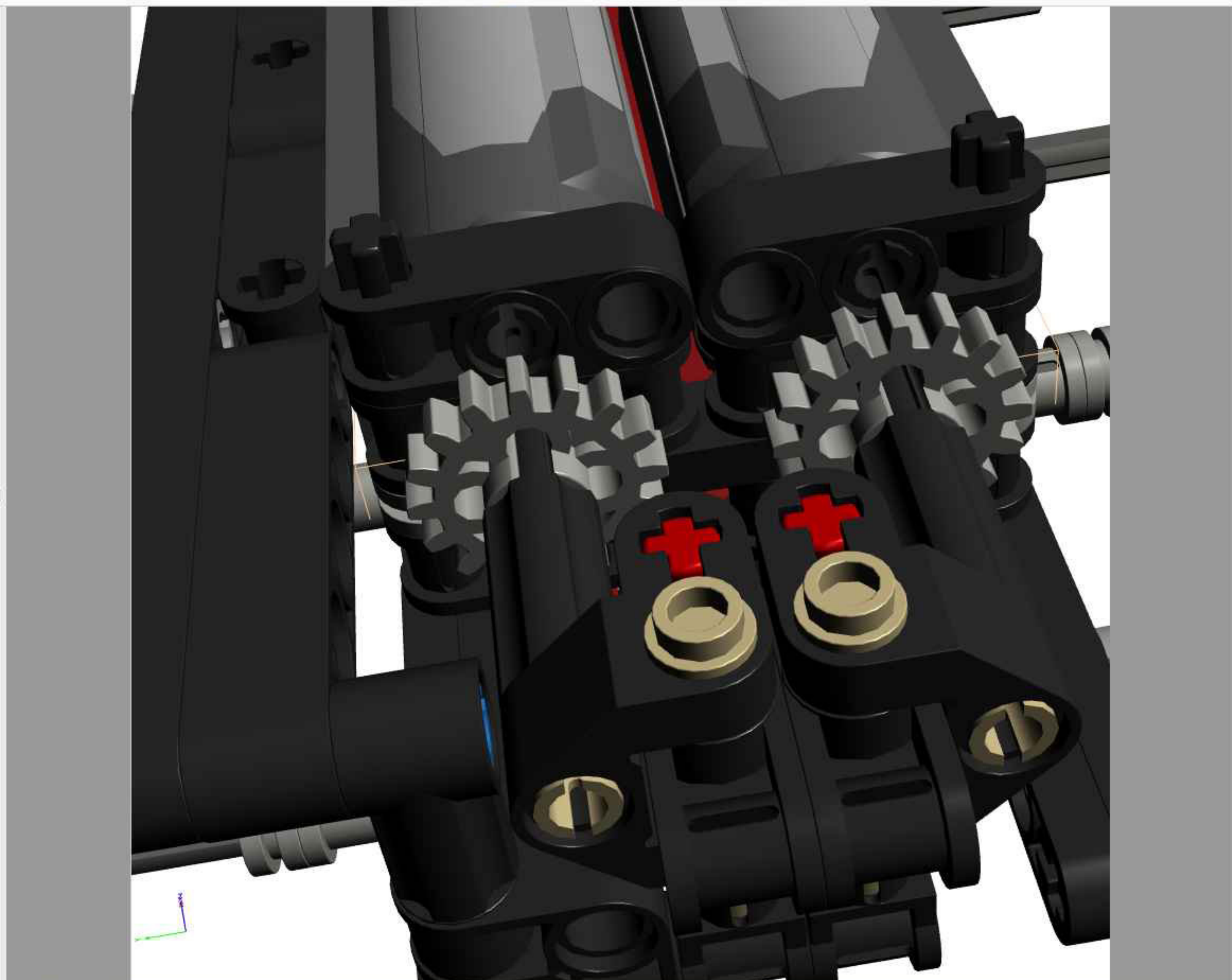
Highlight Color

- model
 - Argo Small Assy.asm
 - Argo Assembly-100.asm:1
 - Argo Assembly-101.asm:1
 - Argo Assembly-101.asm:2
 - Argo Assembly-102.asm:1
 - Argo Assembly-102.asm:2
 - Argo Assembly-103.asm:1
 - Argo Assembly-103.asm:2
 - Argo Assembly-104.asm:1
 - Argo Assembly-105.asm:1
 - Argo Assembly-106.asm:1
 - Gear Wheel z=8 BF.par:1.2
 - Helical L=16 BF.par:1
 - Axle 5 Flange BF.par:1
 - Gear Wheel z=8 BF.par:2
 - Helical L=16 BF.par:2
 - Axle 5 Flange BF.par:2
 - Argo Assembly-107.asm:1

Options

- Current View
- [User] top
- [User] front
- [User] right

Property	Value
----------	-------



Export PDF

Adobe Export PDF

Convert PDF Files to Word or Excel Online

Select PDF File

Argo Small Assy.pdf

Convert to

Microsoft Word (*.docx)

Document Language: English (U.S.)

Convert

- Create PDF
- Edit PDF
- Comment
- Combine Files
- Organize Pages
- Redact
- Protect
- Optimize PDF

Convert and edit PDFs with Acrobat Pro DC

Start Free Trial

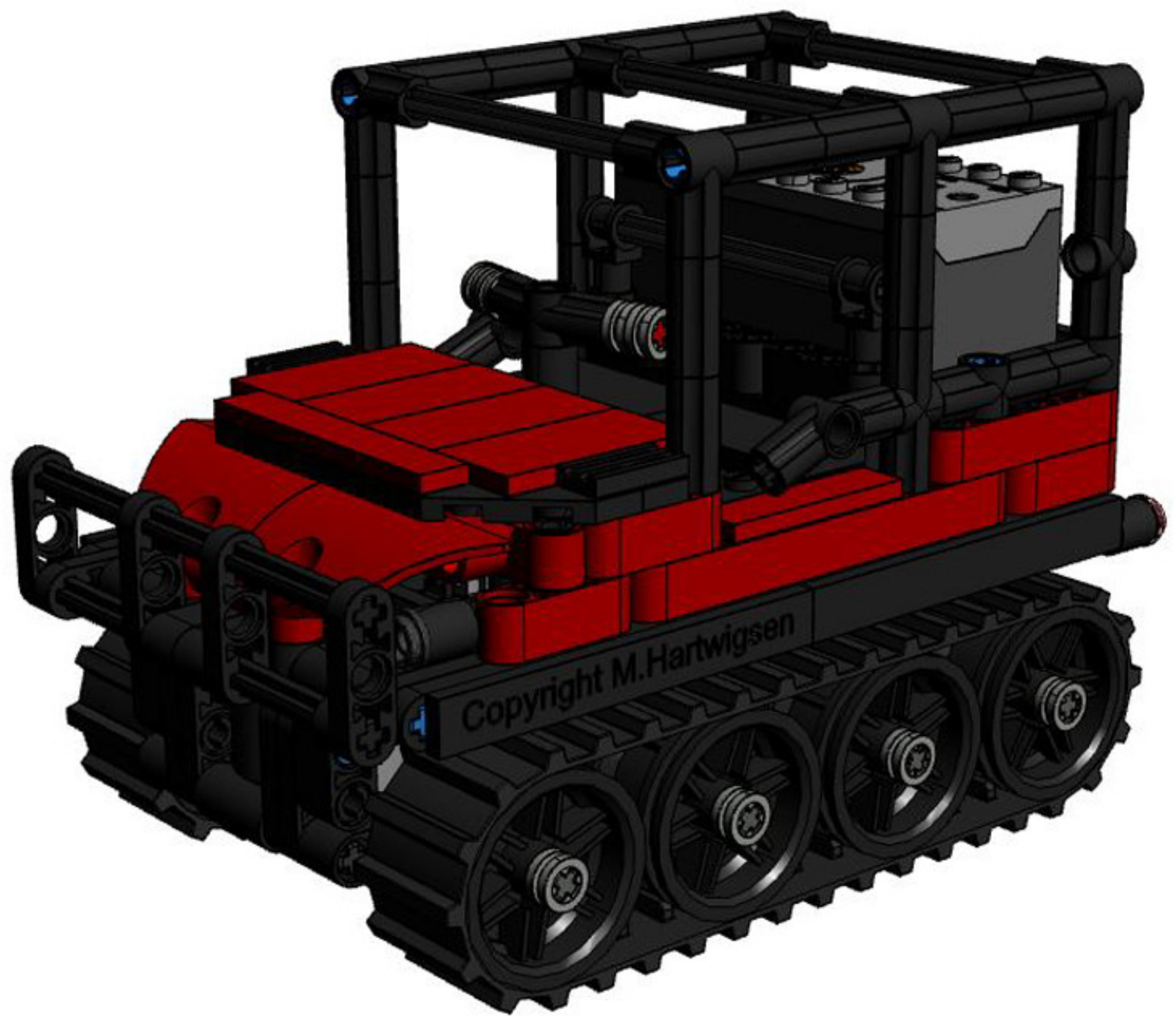
By clicking this box you get extra possibilities, for example a choice of render modes.

Here you see how Solid Outline looks like.

Model Tree

- Highlight Color
- Export as XML
- Export as CSV
- Copy Data
- Model Render Mode
 - Transparent Bounding Box
 - Solid
 - Transparent
 - Solid Wireframe
 - Illustration
 - Solid Outline
 - Shaded Illustration
 - Bounding Box
 - Transparent Bounding Box Outline
 - Transparent Wireframe
 - Wireframe
 - Shaded Wireframe
 - Hidden Wireframe
 - Vertices
 - Shaded Vertices
- Show All Parts
- Fit Visible
- Show Physical Properties
- Display Bounding Box
- Set Bounding Box Color...

Beam Plate Connector 1x0,5 BF.pa
Beam Plate Connector 1x0,5 BF.pa
Axle 6 BF.par:1.3
Lift Arm 1x3x0,5 BF.par:1
Lift Arm 1x3x0,5 BF.par:2
Lift Arm 1x3x0,5 BF.par:3
Lift Arm 1x3x0,5 BF.par:4
Axle 10 BF.par:1
Axle 10 BF.par:2



Options

- Current View
- [User] top
- [User] front
- [User] right

Property	Value
----------	-------

Export PDF

Adobe Export PDF

Convert PDF Files to Word or Excel Online

Select PDF File

Argo Small Assy.pdf

Convert to

Microsoft Word (*.docx)

Document Language: English (U.S.)

Convert

Create PDF

Edit PDF

Comment

Combine Files

Organize Pages

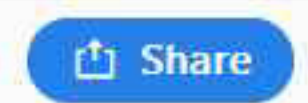
Redact

Protect

Optimize PDF

Convert and edit PDFs with Acrobat Pro DC

Start Free Trial



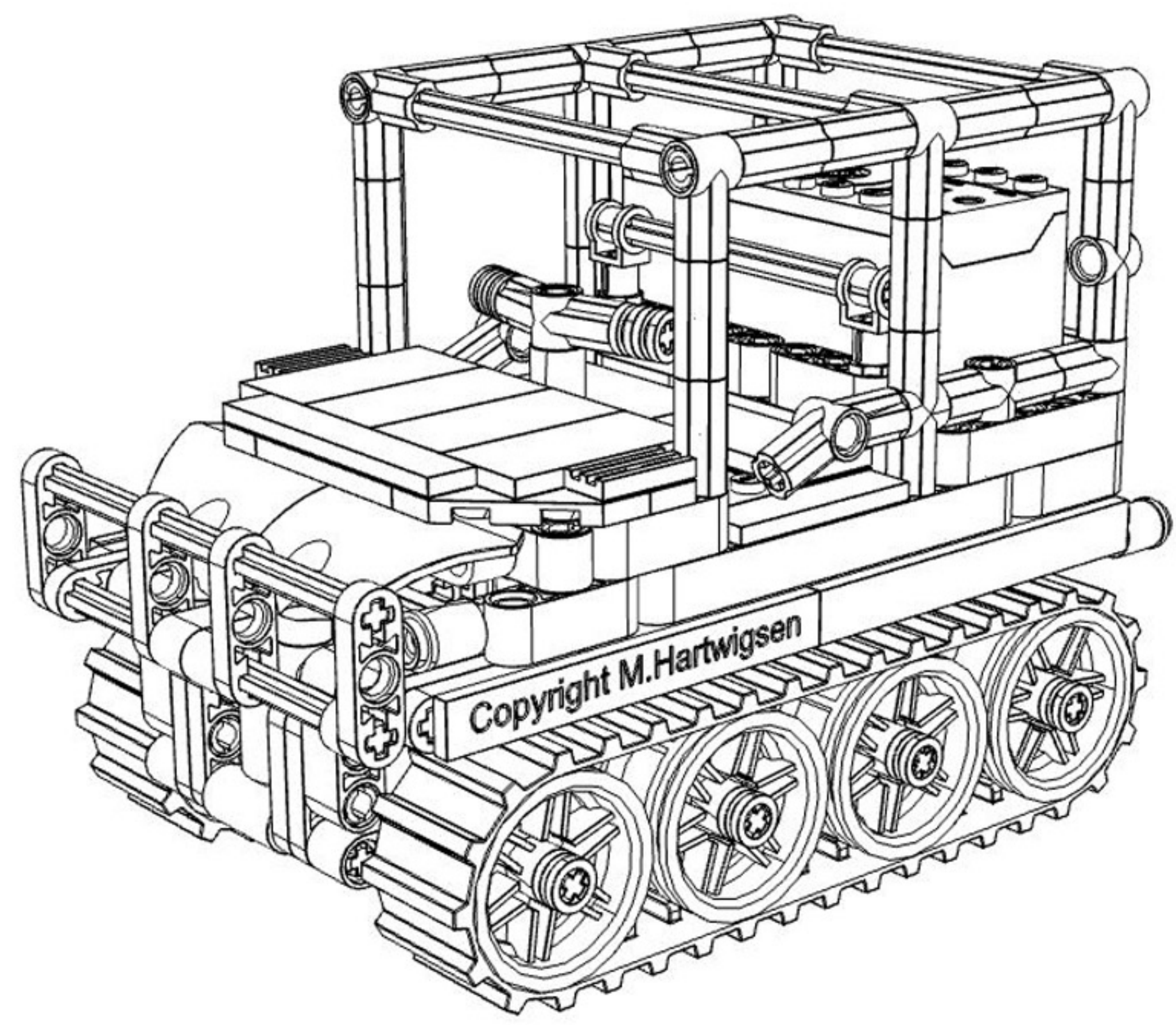
Model Tree

Highlight Color

- Export as XML
- Export as CSV
- Copy Data
- Model Render Mode
 - Transparent Bounding Box
 - Solid
 - Transparent
 - Solid Wireframe
 - Illustration
 - Solid Outline
 - Shaded Illustration
 - Bounding Box
 - Transparent Bounding Box Outline
 - Transparent Wireframe
 - Wireframe
 - Shaded Wireframe
 - Hidden Wireframe
 - Vertices
 - Shaded Vertices
- Show All Parts
- Fit Visible
- Show Physical Properties
- Display Bounding Box
- Set Bounding Box Color...

- Beam Plate Connector 1x0,5 BF.pa
- Beam Plate Connector 1x0,5 BF.pa
- Axle 6 BF.par:1.3
- Lift Arm 1x3x0,5 BF.par:1
- Lift Arm 1x3x0,5 BF.par:2
- Lift Arm 1x3x0,5 BF.par:3
- Lift Arm 1x3x0,5 BF.par:4
- Axle 10 BF.par:1
- Axle 10 BF.par:2

And here you see the Illustration render mode



Options

- Current View
- [User] top
- [User] front
- [User] right

Property	Value
----------	-------

Export PDF

Adobe Export PDF

Convert PDF Files to Word or Excel Online

Select PDF File

Argo Small Assy.pdf

Convert to

Microsoft Word (*.docx)

Document Language: English (U.S.)

Convert

Create PDF

Edit PDF

Comment

Combine Files

Organize Pages

Redact

Protect

Optimize PDF

Convert and edit PDFs with Acrobat Pro DC

Start Free Trial